

SN-IPS56/20BDR/ZSC22

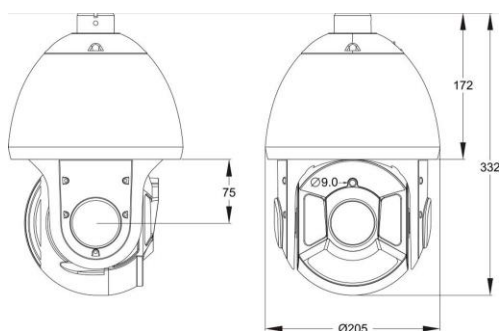
1080P Network IR High Speed Dome



Key features

- 1/2.8" Progressive Scan CMOS
- 22X Optical Zoom, 12X Digital Zoom
- Full HD 1080P
- Multiple Streams
- IR Range 100m
- Smart IR
- Low bitrate , Good low light performance
- 3D DNR, dWDR, ICR

Dimension



Accessories



BK606A



BK607

Specifications

CAMERA	
Image Sensor	1/2.8" Progressive Scan CMOS
Min. illumination	Color 0.02Lux; B&W 0.002Lux; IR ON 0 Lux
Day & Night	ICR
Shutter Speed	1/10000-1/50s
Auto Iris	Auto/Manual
Wide Dynamic Range	Yes
Digital Noise Reduction	2D/3D
Lens	Sunell 22X Module , 4.7-103mm
Digital Zoom	12X
FOV	58.7° - 3.2°
IR LED	8 pcs
IR Range	100m
Pan/Tilt	Pan 0-360° ,Tilt 0-98°
Pan/Tilt Speed	Pan 0.01-180° /s ,Tilt 0.01-90° /s ,Preset Speed 90° /s
IMAGE	
Video Compression	H.264 High/Main/Baseline Profile, MJPEG
Bit Rate (CBR/VBR)	500kb-12000kb
Audio Compression	G.711 ,RAW_PCM
Max.Resolution	1920x1080/30fps
Stream	Stream1 1920x1080 Stream 2 D1 to QVGA
Image Setting	Rotate Mode, Saturation, Brightness, Contrast, Sharpness
HLC	Yes
ROI	Yes
Defog	Yes
NETWORK	
Network Protocols:	HTTP, HTTPS, TCP/IP, UDP/IP, RTSP, DHCP, NTP, PoE, Unicast and Multicast supported.
Alarm Trigger	Motion, Intrusion, Line Crossing, Tamper, Network disconnect, Disk alarm, I/O alarm
RTSP Video	Standard RFC2326, Support QuickTime / VLC Player.
Security	User security authentication, Reset, Hardware WatchDog
Web Language	English, Chinese, Polish, Italian, Portuguese, Spanish.(Sunell Brand)
System Compatibility	Onvif ,CGI
INTERFACE	
Ethernet	11 Ethernet (10/100 Base-T) RJ-45 Connector
Audio I/O	1ch Audio In, 1ch Audio Out
Alarm I/O	7ch Alarm In, 2ch Alarm Out
RS485	N/A
BNC Output	N/A
Reset Button	YES(Built-In)
Edge Storage	Micro SD/SDHC/SDXC slot(Built-in), Max 64GB
GENERAL	
Power Supply	AC24V/2.5A
Power Consumption	MAX 40W
Operating Temperature	-40° C ~ +60° C
Operating Humidity	0% - 90% RH
Protection	IP66, TVS6000V
Approvals	CE / FCC
Product Dimensions	Φ205x332mm
Product Weight	4.3KG